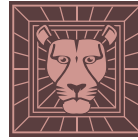


36"

Item Number:

160-V36-ACG
160-V36-EG

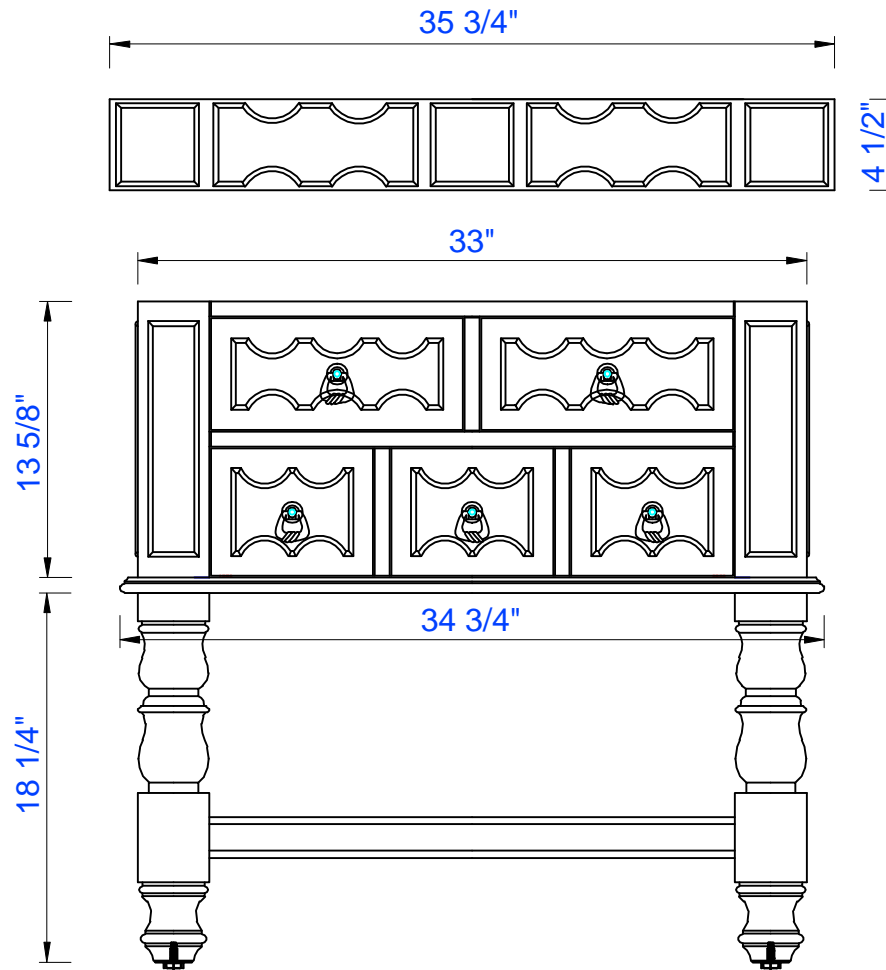
JAMES MARTIN



VANITIES™

Castilian 36" Cabinet

Diagrams with Dimensions
page 01 of 03



NOTE ONE: Countertops are not shown in these diagrams. (Cabinet Only)

NOTE TWO: Wood Backsplash (Shown) is designed for the molding detail to align with sinks in James Martin's Optional Countertops. Customers' own countertops and sinks may align differently.

Please consult our website for Countertop Diagrams: www.jamesmartinvanities.com

36"

Item Number:

160-V36-ACG
160-V36-EG

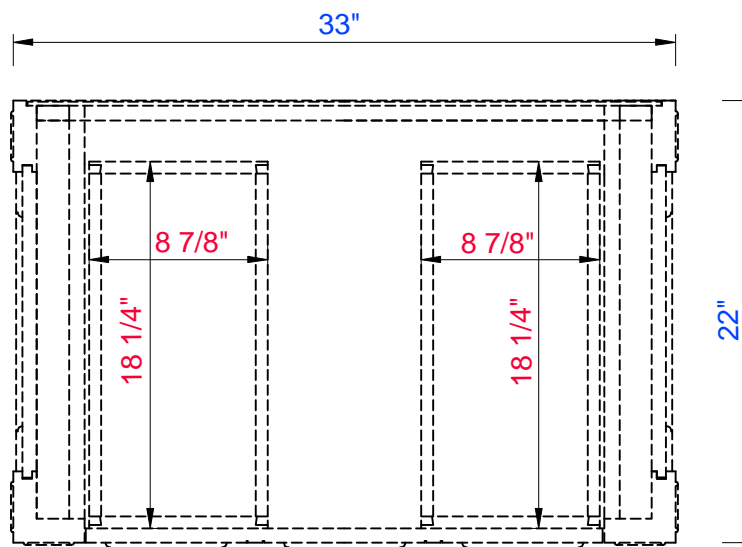
JAMES MARTIN



VANITIES™

Castilian 36" Cabinet

Diagrams with Dimensions
page 02 of 03



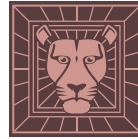
NOTE ONE: Countertops are not shown in these diagrams. (Cabinet Only)

36"

Item Number:

160-V36-ACG
160-V36-EG

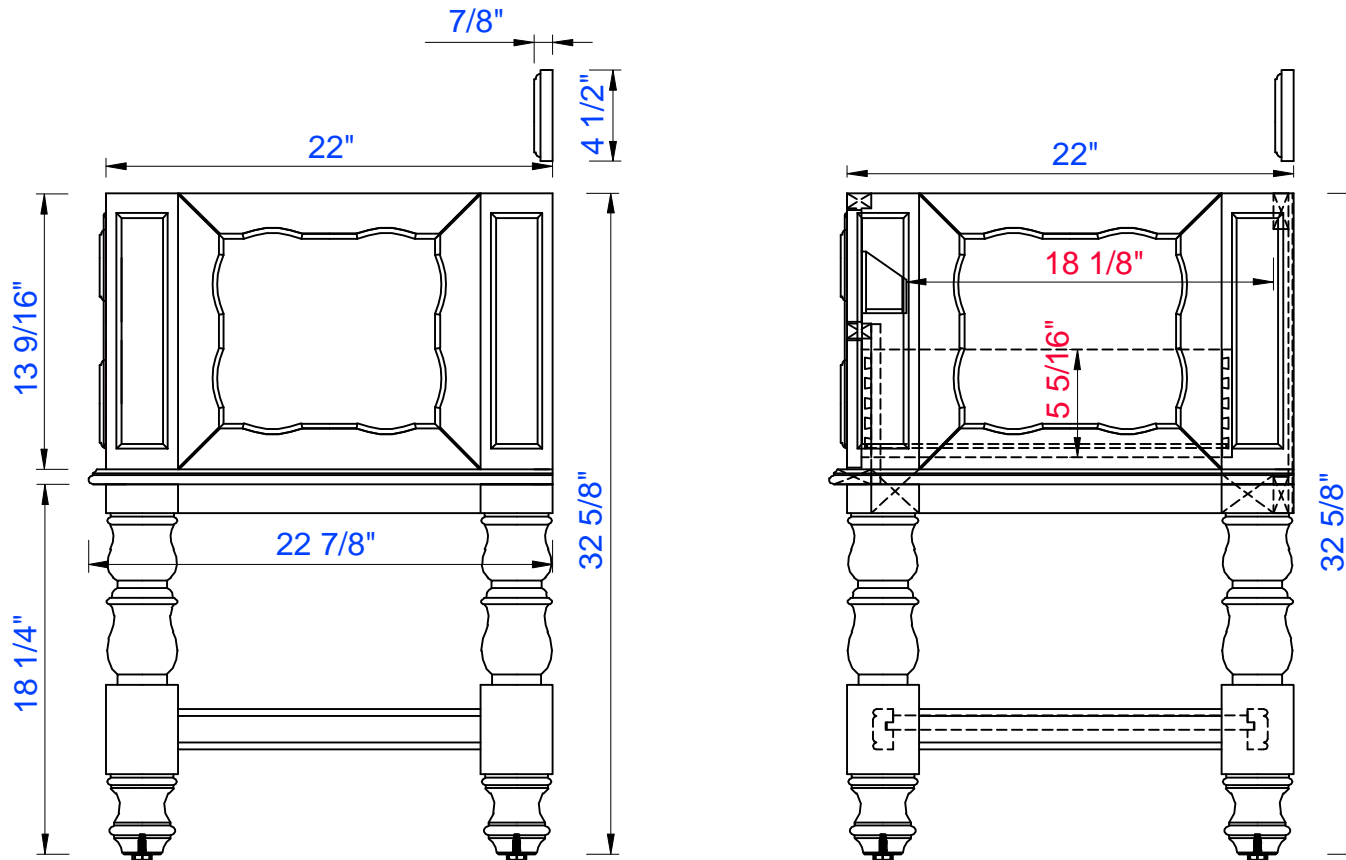
JAMES MARTIN



VANITIES™

Castilian 36" Cabinet

Diagrams with Dimensions
page 03 of 03



NOTE ONE: Countertops are not shown in these diagrams. (Cabinet Only)

NOTE TWO: Wood Backsplash (Shown) is designed for the molding detail to align with sinks in James Martin's Optional Countertops. Customers' own countertops and sinks may align differently.

Please consult our website for Countertop Diagrams: www.jamesmartinvanities.com

914mm

Item Number:
160-V36-ACG
160-V36-EG

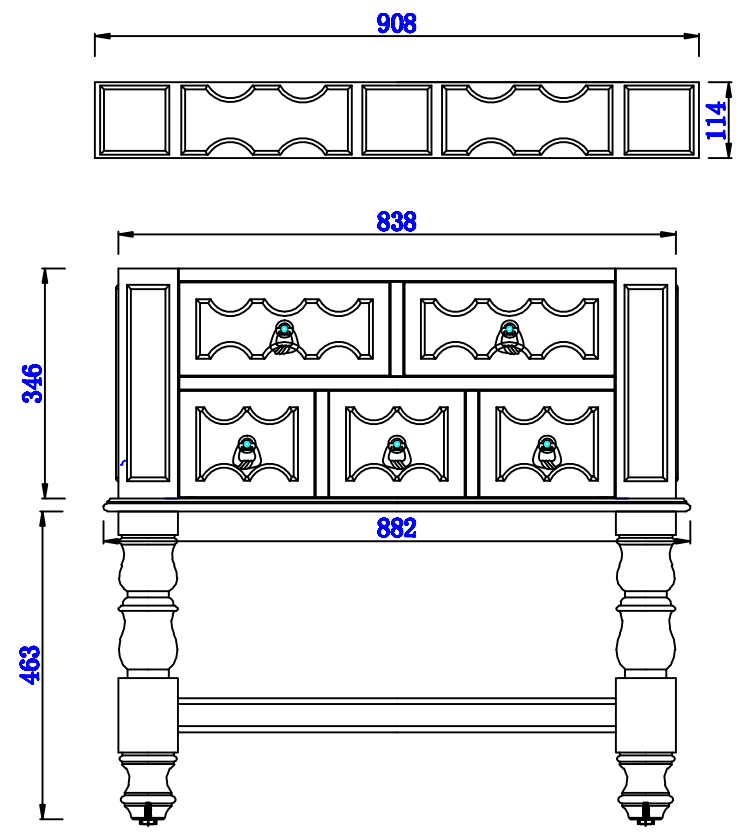
JAMES MARTIN



VANITIES™

Castilian 914mm Cabinet

Diagrams with Dimensions
page 01 of 03



NOTE ONE: Countertops are not shown in these diagrams. (Cabinet Only)

NOTE TWO: Wood Backsplash (Shown) is designed for the molding detail to align with sinks in James Martin's Optional Countertops. Customers' own countertops and sinks may align differently.

Please consult our website for Countertop Diagrams: www.jamesmartinvanities.com

Item Number:
160-V36-ACG
160-V36-EG

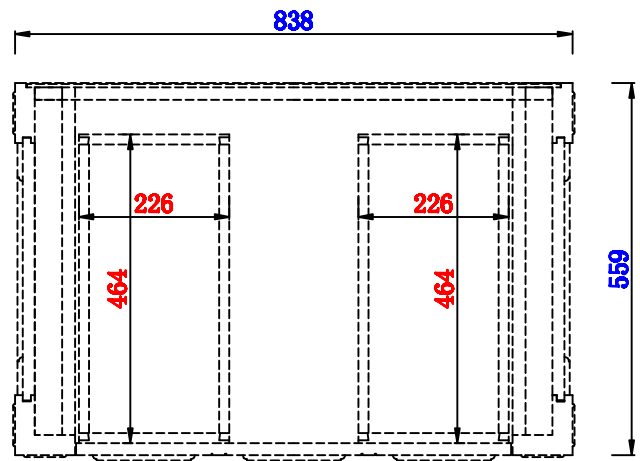
JAMES MARTIN



VANITIES™

Castilian 914mm Cabinet

Diagrams with Dimensions
page 02 of 03

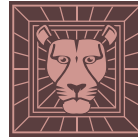


NOTE ONE: Countertops are not shown in these diagrams. (Cabinet Only)

914mm

Item Number:
160-V36-ACG
160-V36-EG

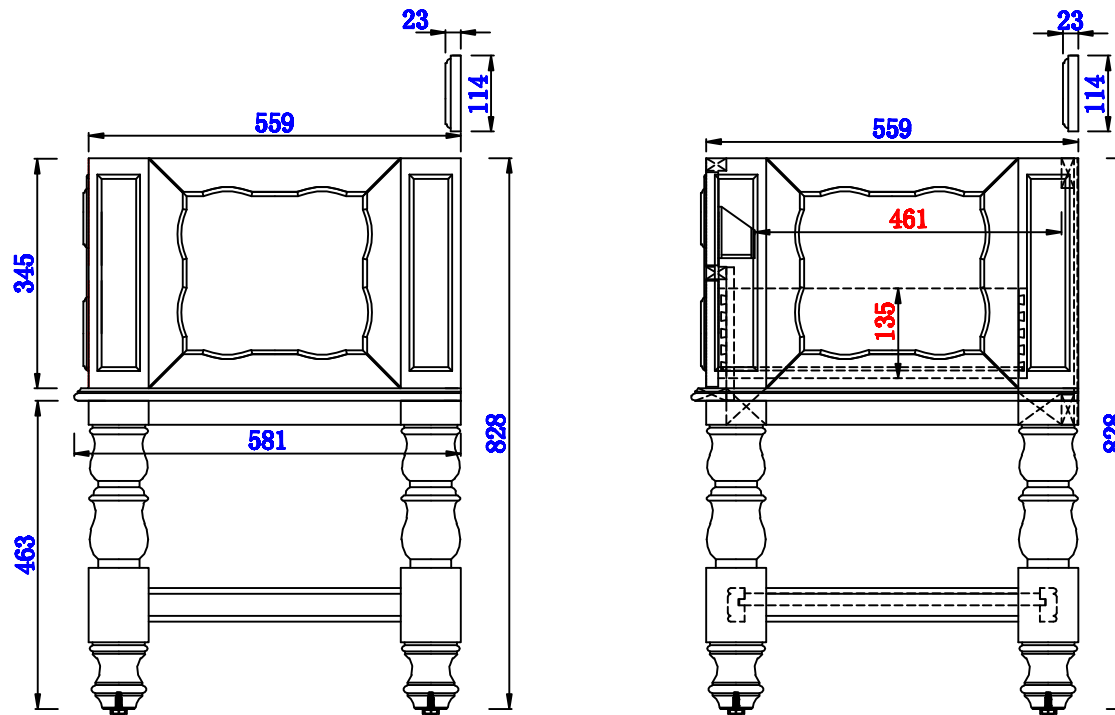
JAMES MARTIN



VANITIES™

Castilian 914mm Cabinet

Diagrams with Dimensions
page 03 of 03



NOTE ONE: Countertops are not shown in these diagrams. (Cabinet Only)

NOTE TWO: Wood Backsplash (Shown) is designed for the molding detail to align with sinks in James Martin's Optional Countertops. Customers' own countertops and sinks may align differently.

Please consult our website for Countertop Diagrams: www.jamesmartinvanities.com

Version: 201906